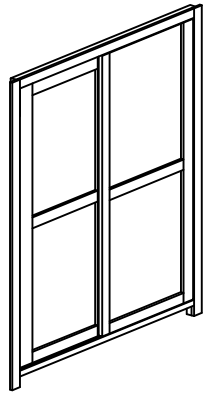
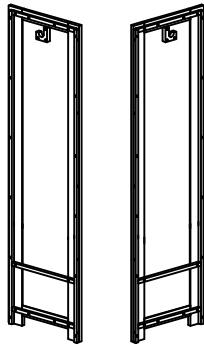


ASSEMBLY INSTRUCTION SLIDING DOOR WARDROBE

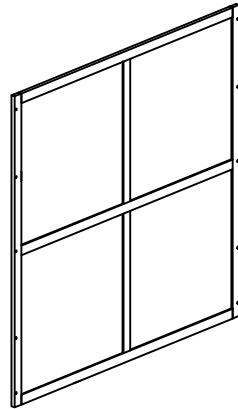
A = 1pc



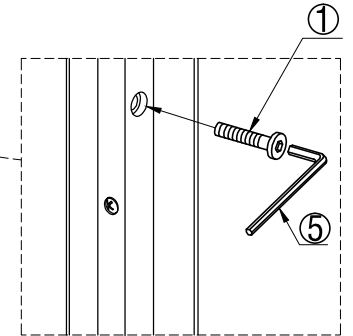
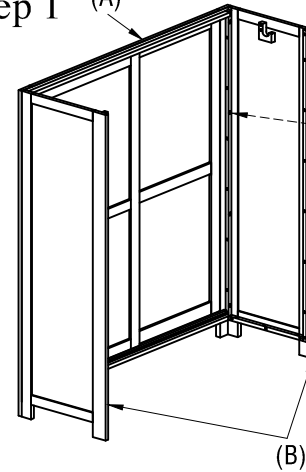
B = 02pcs



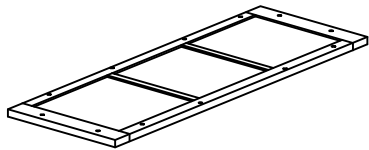
C = 01pc



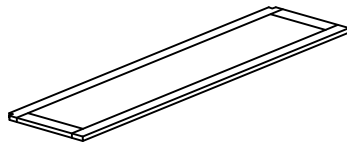
Step 1 (A)



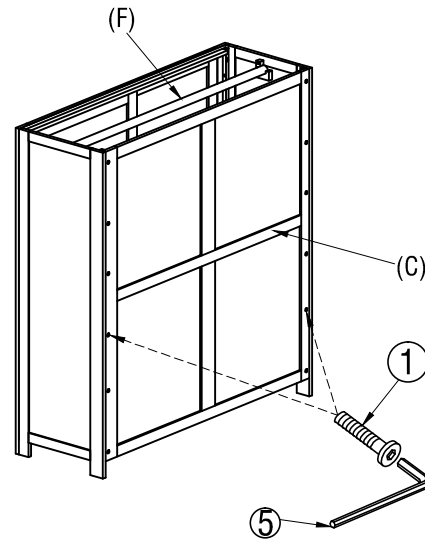
D = 01pc



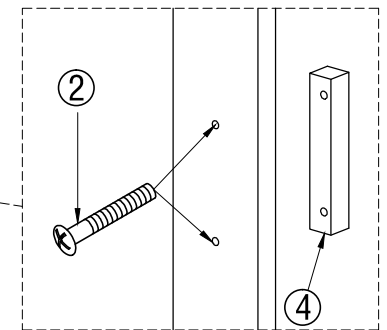
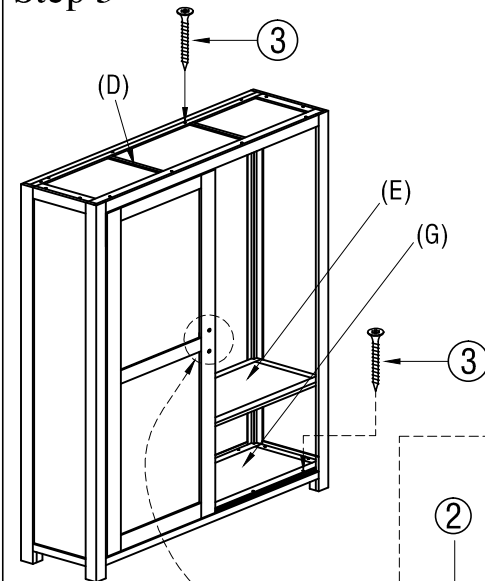
E = 01pcs



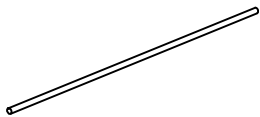
Step 2



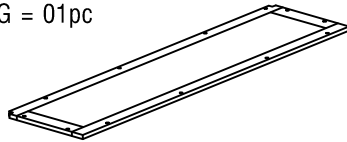
Step 3



F = 01pc



G = 01pc



HARDWARE

①	②	③	④	⑤
M6x30=24pcs	M4x30=4pcs	M4x30=24pcs	20x20 x150= 2 pcs	4x30x60=1pc
